

## Specification sheet LX 1641

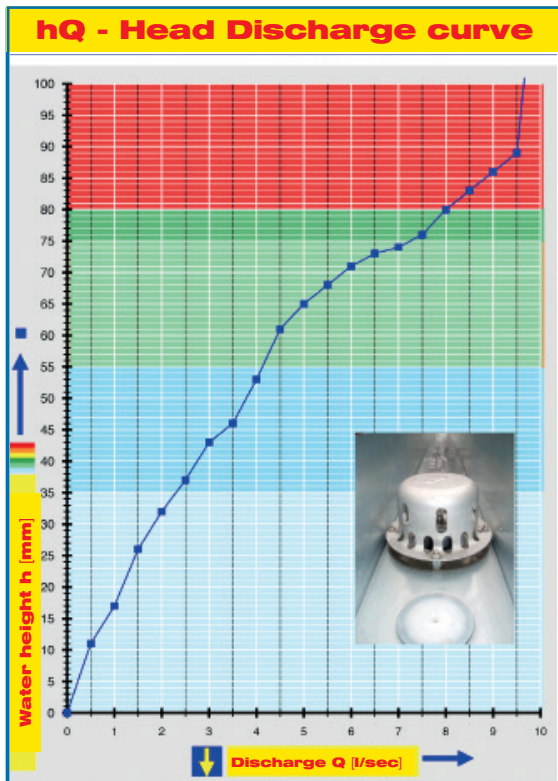
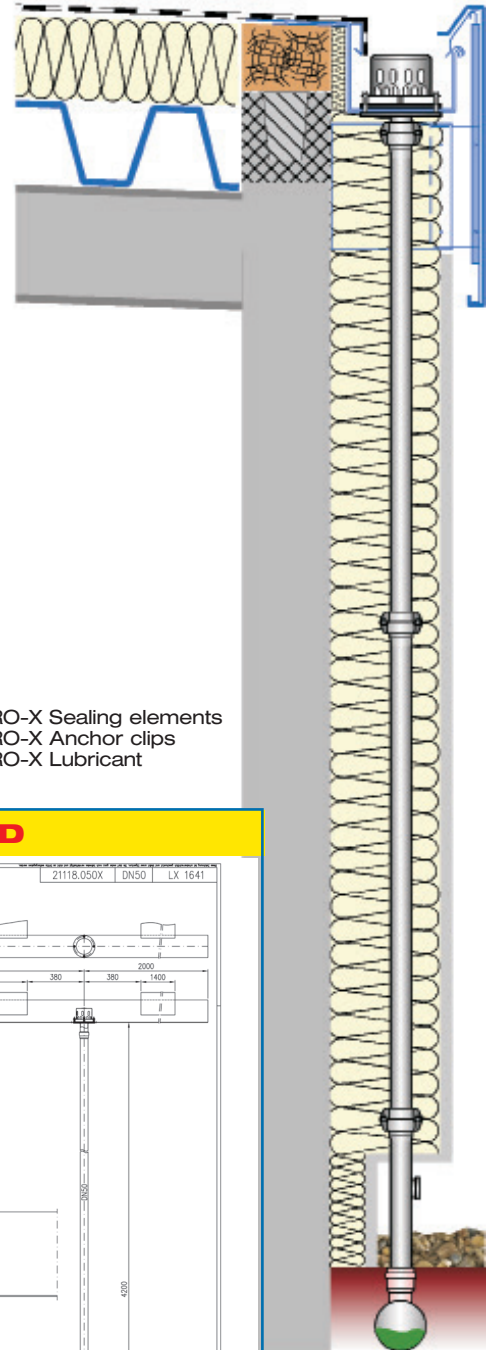
### Roof drainage systems LORO-DRAINLET<sup>®</sup> Mini DN 50 for Box gutter with 150 mm

Main drainage	
Gravity flow	
Silent Power	
Discharge rate:	2,4 l/sec
Water height:	35 mm
Roof penetration:	-
Diameter:	DN 50
LX-Number:	LX 1641
Weir height:	0 mm
Drain:	ventilated
Downpipe:	not ventilated
Downpipe height:	4,2 m
Drainage:	in sewer
Flangeform:	clamping flange

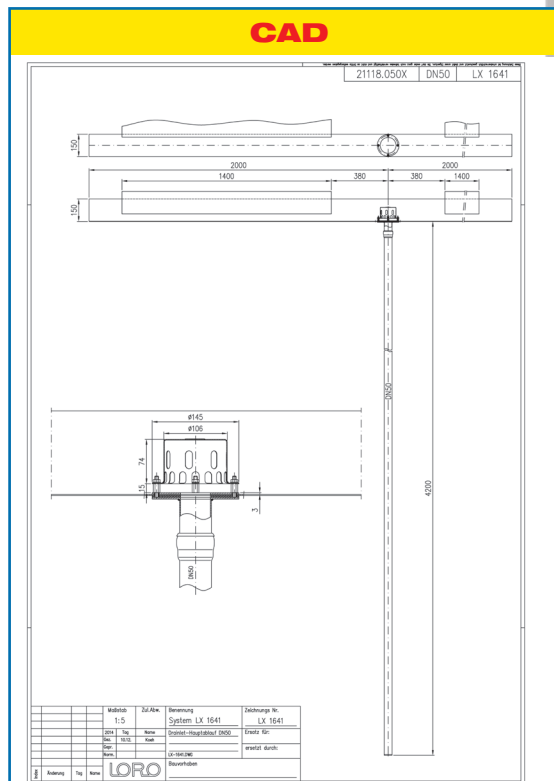
#### LX 1641 Piece list

1 x Art-No. 21118.050X, DRAINLET<sup>®</sup> Mini DN 50  
1 x Art-No. 01004.050X, LORO-X Pipe with one socket  
1 x Art-No. 05510.050X, LORO-X Stand pipe

3 x Art-No. 00911.050X, LORO-X Sealing elements  
1 x Art-No. 00806.050X, LORO-X Anchor clips  
1 x Art-No. 00986.000X, LORO-X Lubricant



Systempower



Systemshape

<b>Water height</b>	mm	5	10	15	20	25	30	35	40	45	50	55	60	65	70	75
<b>Discharge</b>	l/sec				1,1	1,4	1,8	2,4	2,7	3,4	3,8	4,1	4,4	5,0	5,9	7,2
		<b>Silent</b>														

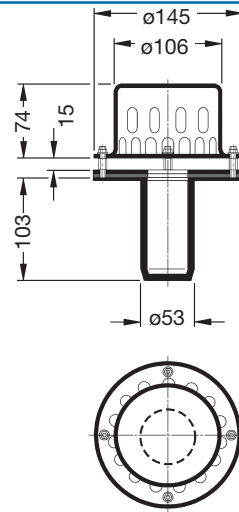
**LORO-DRAINLET® Mini, DN 50**

**LORO-X DRAINLET® Mini**  
with clamping flange for  
**Box gutter**

Drain: Art.-No. 21118.050X



**LX1641-5X**



**Single-part**  
**LORO-X Bend with short radius,**  
made of hot-dip galvanised steel, DN 50  
Art.-No. 00350.050X  
Weight: 0,4 kg



**Single-part**  
**LORO-X standpipe**  
with cleaning opening  
made of hot-dip galvanised steel, DN 50  
1000 mm long Art.-No. 05510.100X  
Weight: 2,2 kg



**Single-part**  
**LORO-X Pipe with one socket**  
made of hot-dip galvanised steel, DN 50

250 mm long Art.-No. 01401.050X  
1000 mm long Art.-No. 01201.050X  
2500 mm long Art.-No. 01004.050X

**Single-part**  
**LORO-X Anchor clip,**  
made of hot-dip galvanised steel, DN 50  
Art.-No. 00806.050X  
Weight: 0,3 kg



**Single-part**  
**LORO-X Sealing element**  
Art.-No. 00911.050X  
Weight: 0,6 kg

